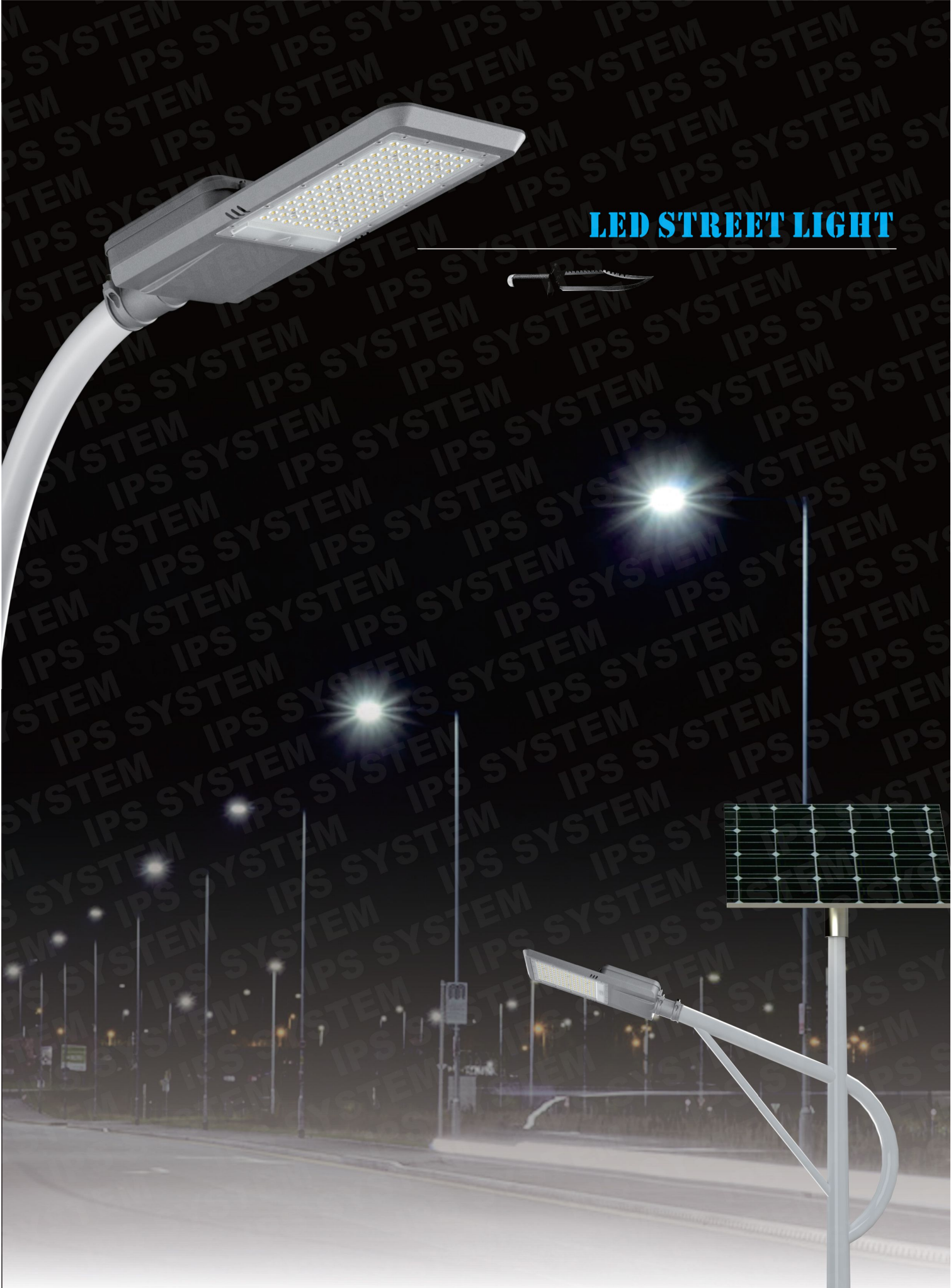


LED STREET LIGHT

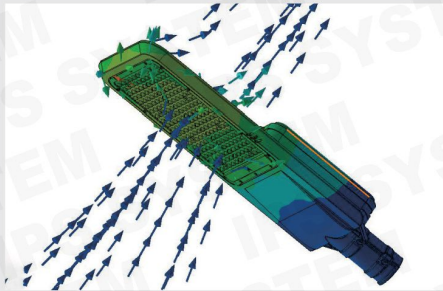


OVERVIEW

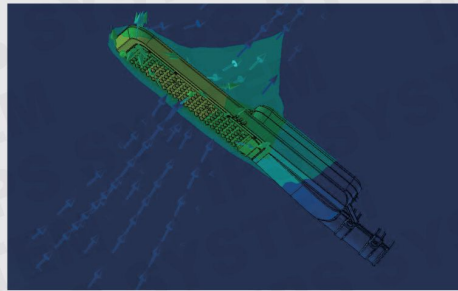


Thermal Management

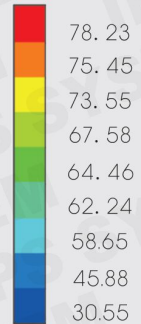
Structure is optimized by advanced FEA technology. Well managed temperature rise between internal and external parts. Even thermal distributions. Higher lumen maintenance rate.



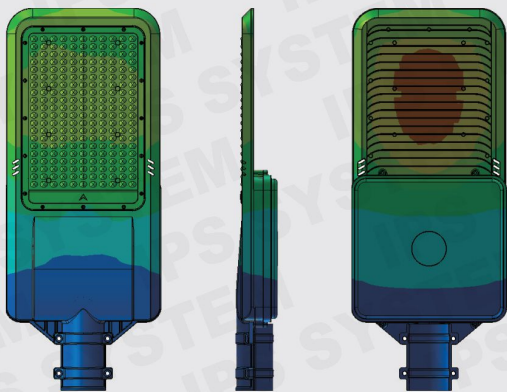
Thermal Air Convection



Thermal Effects to Air



Unit: °C



Thermal Conductivity



Temperature Rise

EXPLODED

Optional with sensor

Die-casting aluminum cover

UV-proof waterproof silicone gel

ADC12 die-casting aluminum body, thermal efficiency up to 96W/M.K.

Famous Brand Waterproof LED Driver

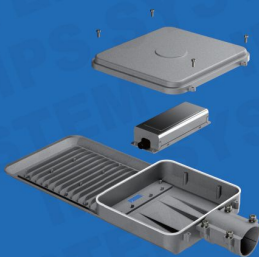
Highly thermal conductive aluminum pcb

3030/5050 SMD High lumen light source

UV-proof waterproof silicone gel.

UV-proof optical lens.
Precision road lighting distributions.

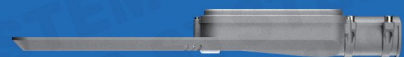
Optional Features



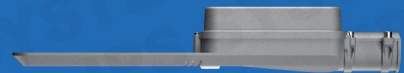
For Mains



For Solar



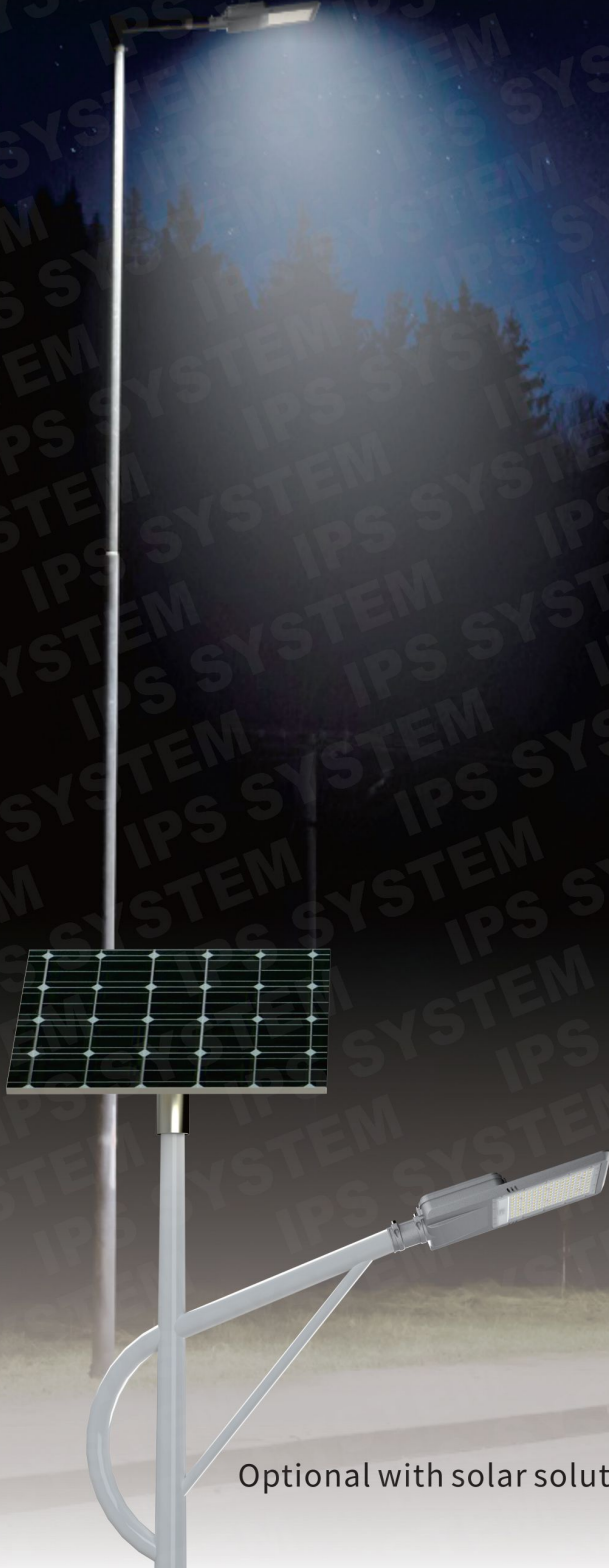
Mains



Solar

APPLICATIONS

Widely applicable to road, expressways, parks, plazas and villas.



Optional with solar solutions

Colors Available



Dark Grey

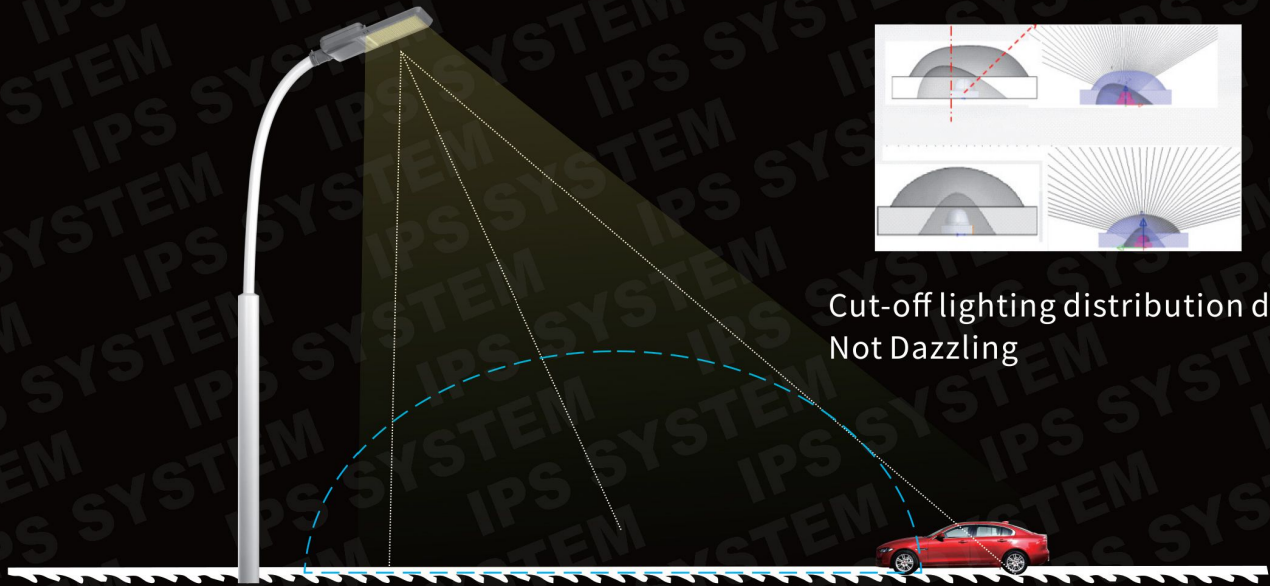


Light Grey

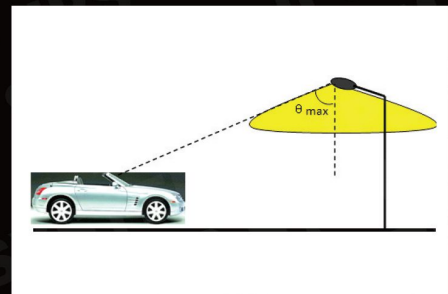
OPTICS

Tech. Support: Tell us the room length, width, height and the usage. We have an engineer team to respond the DIALUX simulations for lights quantity calculation and effects.

.ies files are available upon request.



Cut-off lighting distribution design
Not Dazzling



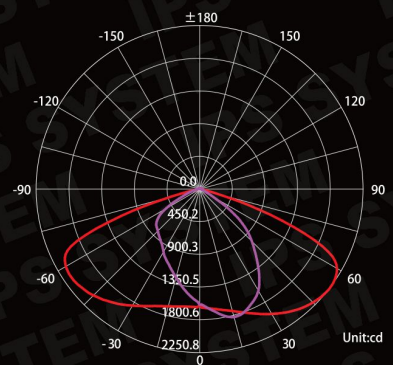
Energy Saving Design



Highly Uniformity Design



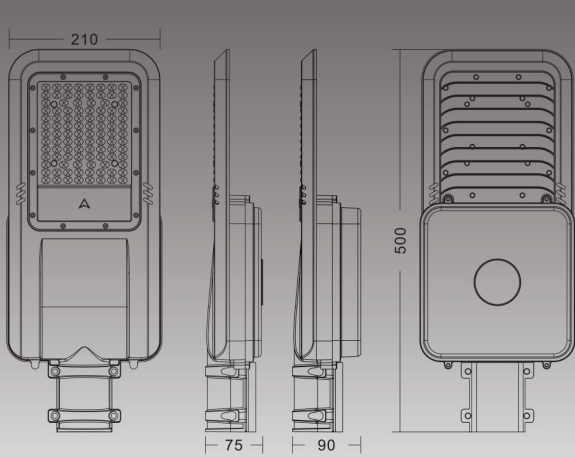
Cut-off Angle Design



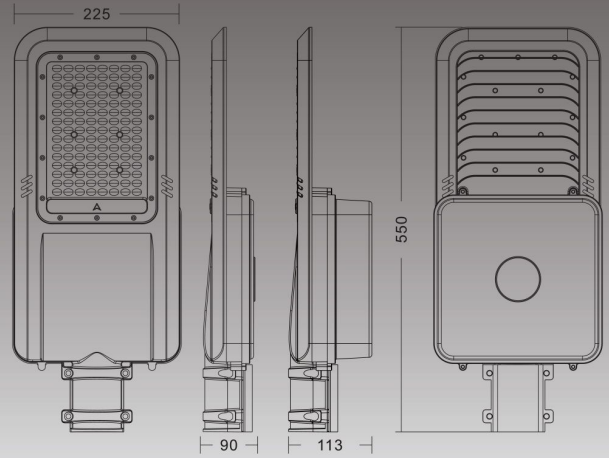
C plane lighting distributions

DIAGRAMS

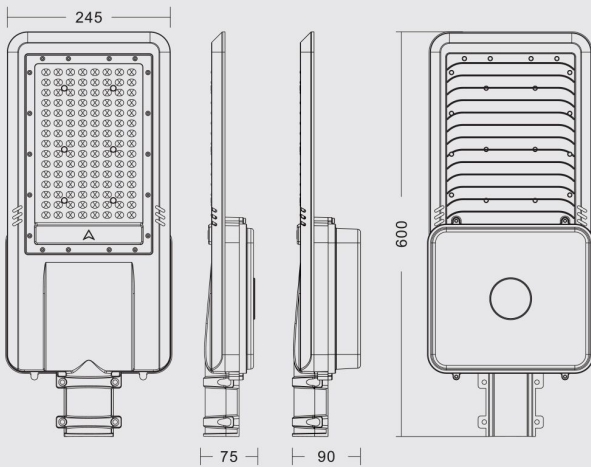
Unit:mm



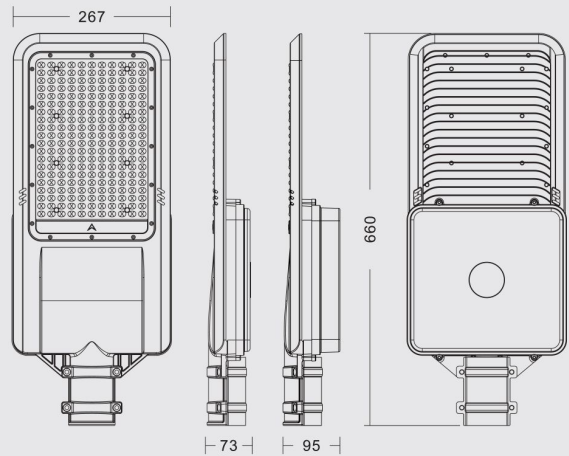
50/60/100/150W



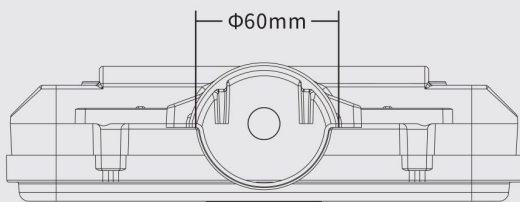
120/200W



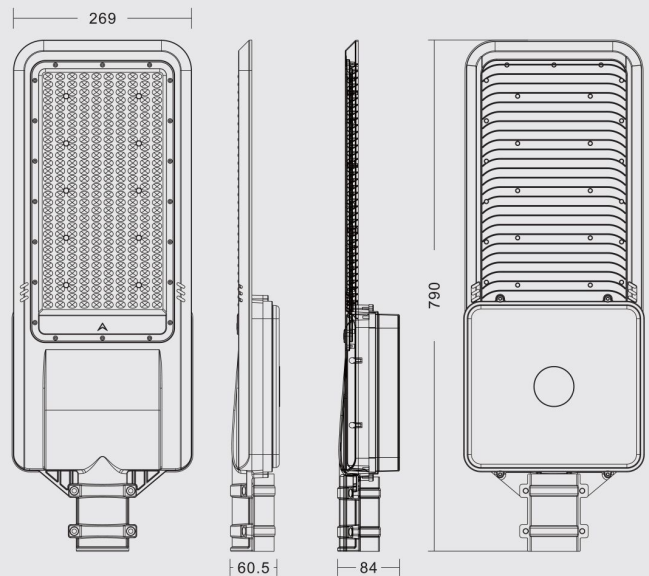
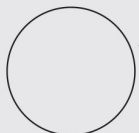
120/150W



200W



Pole Dia.:Φ60mm



300W

MAIN PARAMETERS



50/60/100/150W

120/200W

120/150W

200W

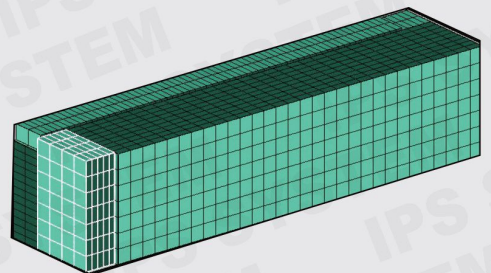
300W

Power	Light Source	Body Size	Battery House Size
50W	3030/5050/10B5C/50B1C	500*210*85mm	165*165*75mm
60W	3030/5050/12B5C/60B1C	500*210*85mm	165*165*75mm
100W	3030/10B5C*2/10B1C	500*210*85mm	165*165*75mm
150W	3030/150B1C/30B5C	500*210*85mm	165*165*75mm
120W/200W	3030/120B1C/24B5C/200B1C/40B5C	550*225*90mm	210*210*90mm
120W	3030/24B5C/120B1C	600*245*90mm	210*170*90mm
150W	3030/5050/150B1C/30B5C	600*245*90mm	210*170*90mm
200W	5050/40B5C/200B1C	660*267*95mm	254*266*95mm
300W	3030/60B5C/300B1C	790*264*84mm	254*266*84mm

Packing Information

Power	CTN Size	Qty/CTN	20` GP	40` GP	40HQ
50W	495*225*545mm	5PCS/CTN	2,306PCS	4,778PCS	5,601PCS
60W	495*225*545mm	5PCS/CTN	2,306PCS	4,778PCS	5,601PCS
100W	495*225*545mm	5PCS/CTN	2,306PCS	4,778PCS	5,601PCS
150W	495*225*545mm	5PCS/CTN	2,306PCS	4,778PCS	5,601PCS
120W/200W	515*245*575mm	4PCS/CTN	1,544PCS	3,198PCS	3,749PCS
120W	610*275*120mm	1PCS/CTN	1,391PCS	2,881PCS	3,378PCS
150W	610*275*120mm	1PCS/CTN	1,391PCS	2,881PCS	3,378PCS
200W	665*270*105mm	1PCS/CTN	1,485PCS	3,076PCS	3,607PCS
300W	800*280*105mm	1PCS/CTN	1,190PCS	2,466PCS	2,891PCS

Packaging





FEATURES:

1. AC85-265V 50/60Hz universal voltage.
2. Light Efficacy up to 150lm/W.
3. High lumen 3030/5050 SMD light source , LM-80 Reports and .ies files are ready.
4. Diecasting aluminum body, anti-corrosion painting.
5. IP66 waterproof for outdoor use.

CAUTIONS:

1. Installation must be done by professional electricians. .
2. Do NOT take apart the product. It may be dangerous.
3. Do NOT stare at the light with naked eyes. It is harmful to eyes.
4. For outdoor lighting, waterproof measurements must be done to the cable terminals.

WARRANTY:

1. All LED street lights are warranted by the manufacturer to be free of defects in material and workmanship for 3 years.
2. Warranty becomes void if the products is modified, improperly installed or used, damaged by accident or neglect, or if any parts are improperly installed or replaced by the user,
3. During the period of warranty time, if some products of us fails during normal circumstances and applications or have any defects above defined, we shall at our own choice replace or repair the defective products at no charge. And the liability claims would NOT exceed the value of the product itself.

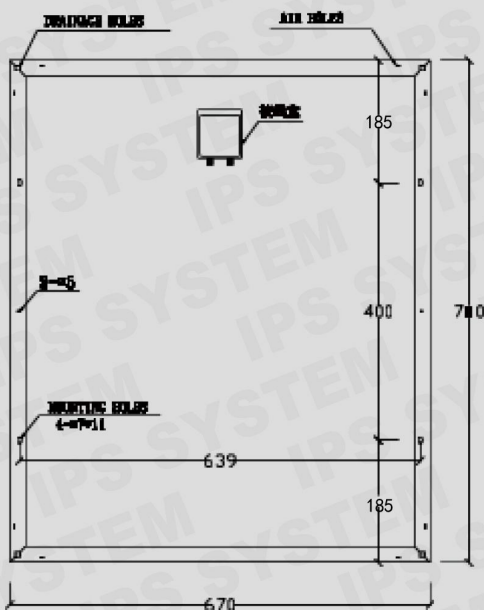


NX80P

▼ Engineering Drawings (Front Side)



▼ Engineering Drawings (Back Side)



Raw materials and Mechanical Parameters

NX80P	
Type of Cells (mm)	Poly156*78
NO. of Cells and ctions	4*9=36
Dimen sions(mm)(L*W*H)	670*770*30
Weight (kg)	5.9
Glass	32mm Tem pered Glass
Encap sulation	EVA
Backsheet	Multilayer composite
Aluminium-Frame	Silver/black anodized aluminum alloy
Junction-Box	IP65/IP67
Cable	NA, but custom ized is acceptable
Conne ctor	NA, but MC4 and MC4 Com patible are acceptable
Package Configuration	1pcs/ctn

Performance Parameters

NX80P	
Maximum System Voltage	1000V
Operating Temperature	-45~ +80 °C
Maximum Series Fuse	10A
Maximum static load front Side (e.x. snow, wind)	5400PA
Maximum static load back Side (e.x. wind)	2400 PA
Application Grade	Class A

Electrical Parameters (Standard Test Condition)

NX80P	
Rated Maximum Power (M _p)	80W
Power Tolerance	-3%~+3%
Cell Efficiency	18.3%
Open Circuit Voltage (V _{oc})	21.3V
Maximum Power Voltage (V _{m_p})	17.8V
Short Circuit Current (I _{sc})	4.85A
Maximum Power Current (I _{m_p})	4.49A
Tem perature Coefficient of I _{sc}	+0.06%
Tem perature Coefficient of V _{oc}	-0.3%
Tem perature Coefficient of P _{m_p}	-0.45%
Standard Test Condition Irradiance:1000W/M2,Cell Tem perature:25°C,Spectrum AM:1.5	

The Electrical Parameters of the module are the average theory figure under the standard test condition, each one exists difference. Can not be treated as the basis of module delivery.